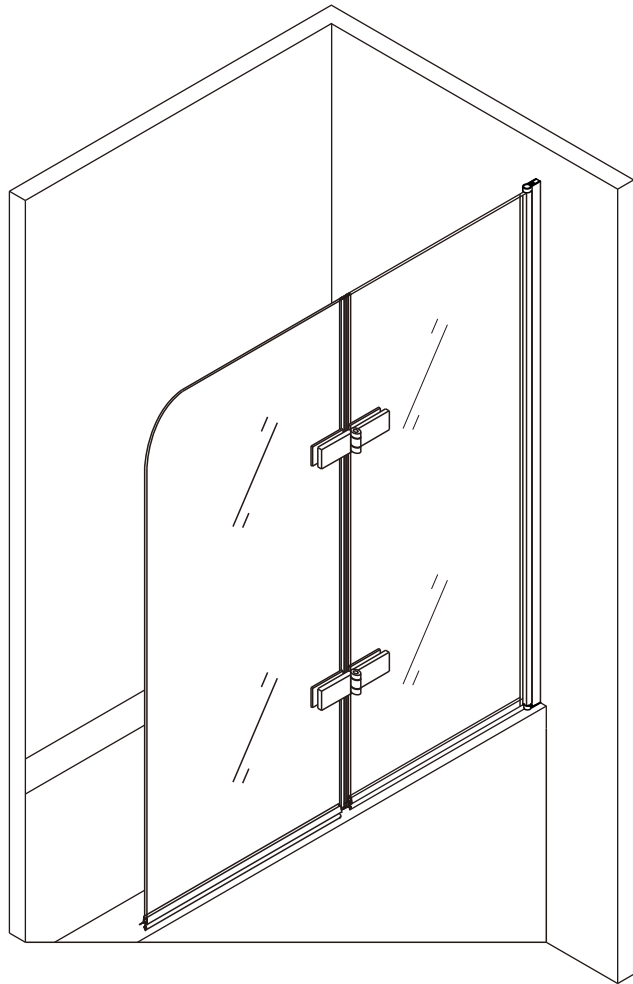
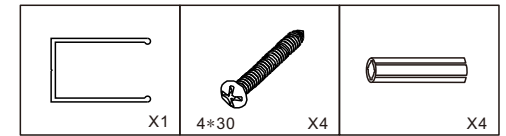
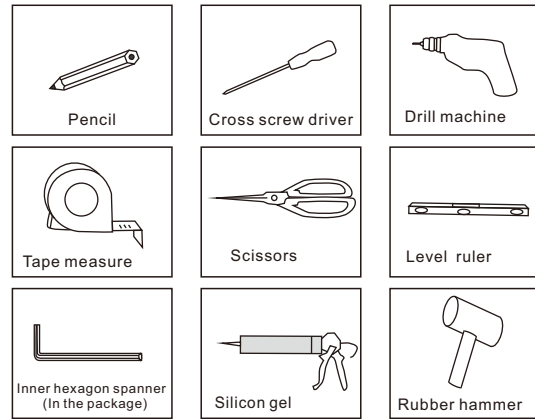


# INSTALLATION MANUAL

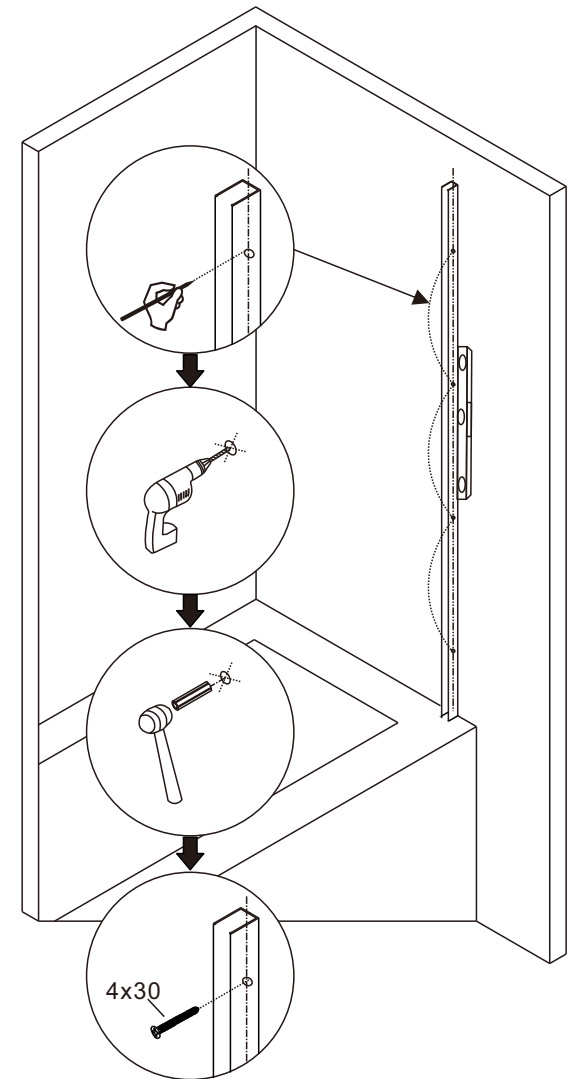
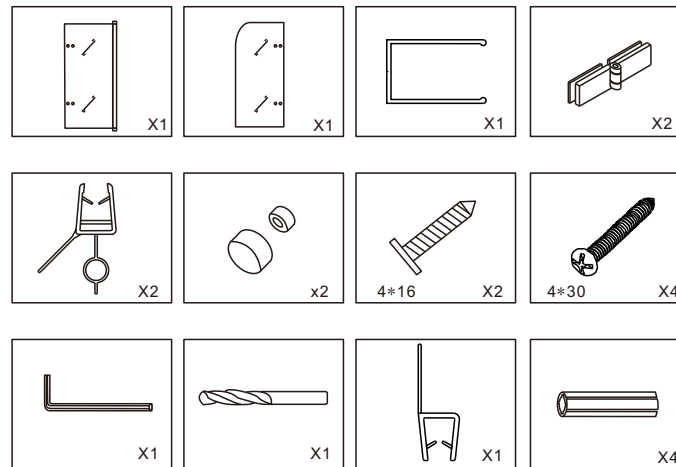


**209C**  
**1**

## TOOL PICTURE

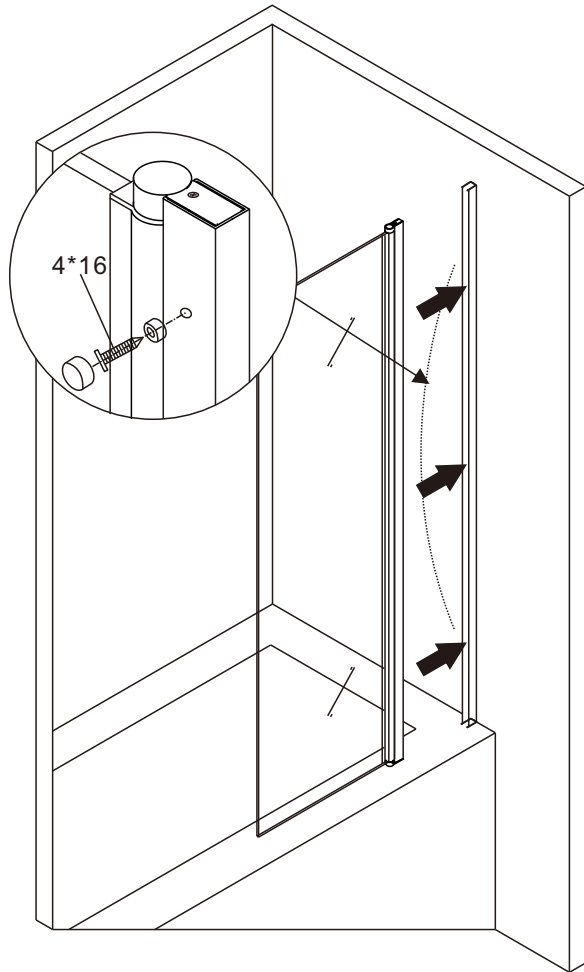
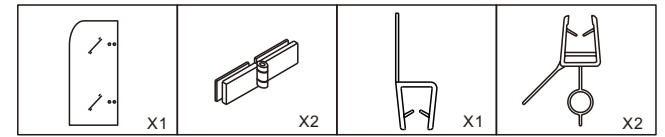
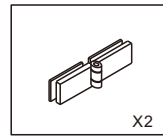
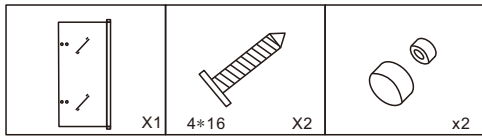


## Accessory list

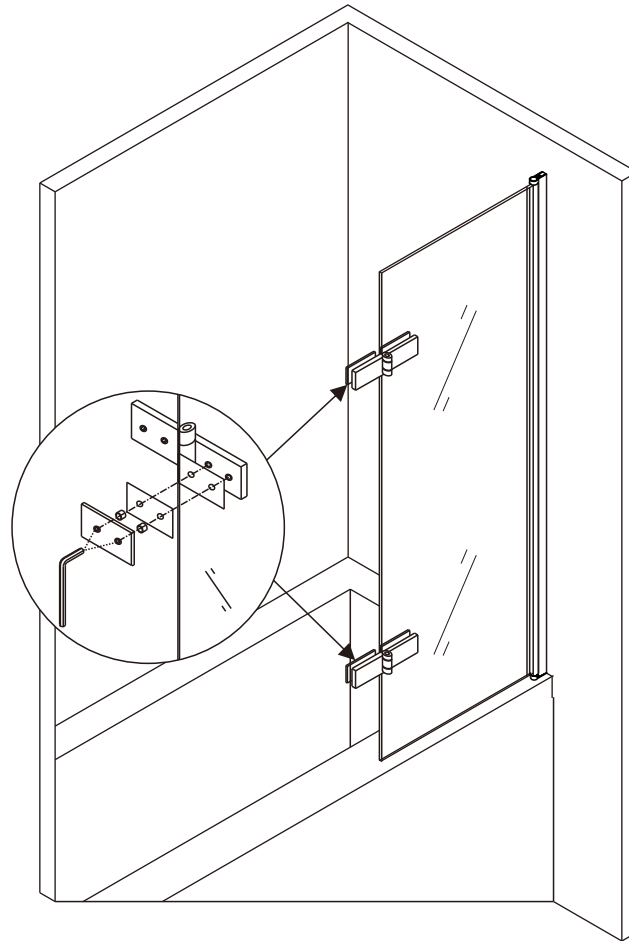


**2**

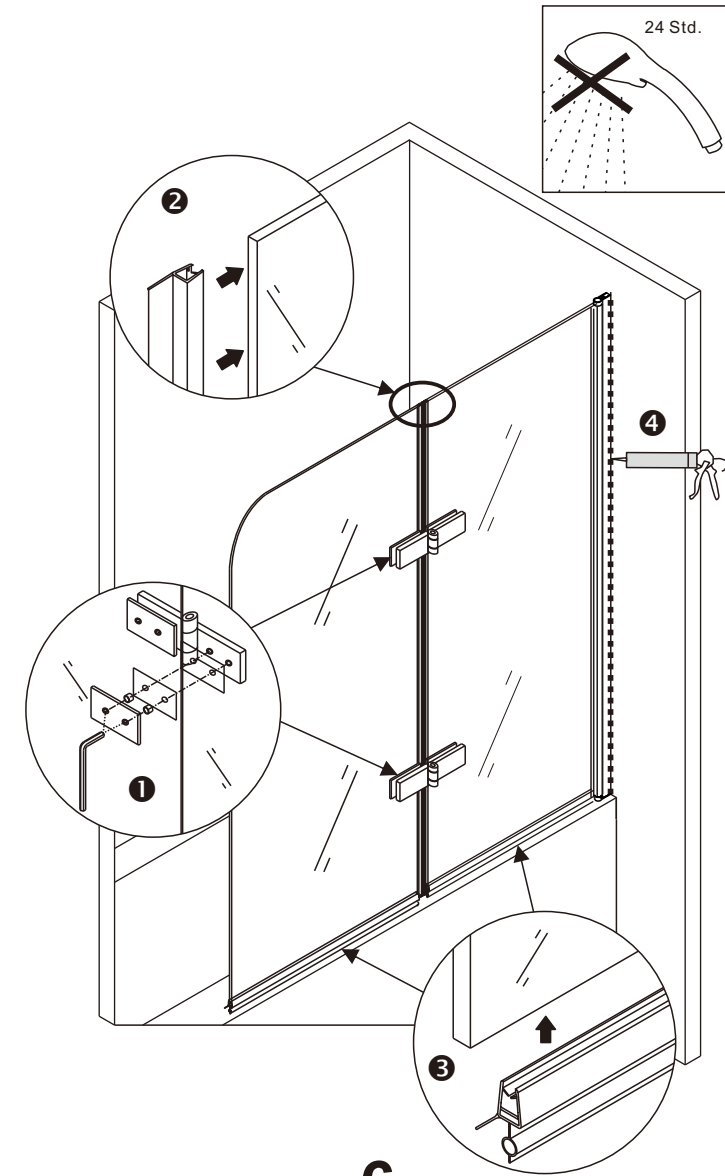
**3**



4



5



6