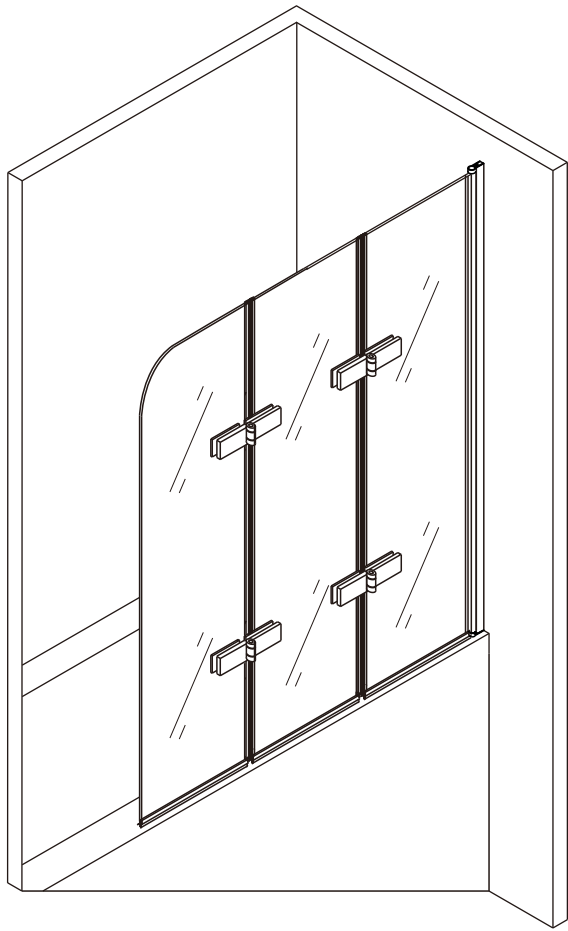


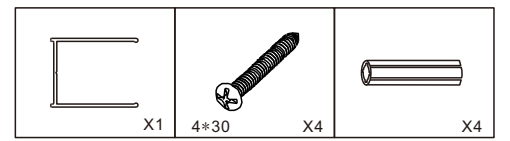
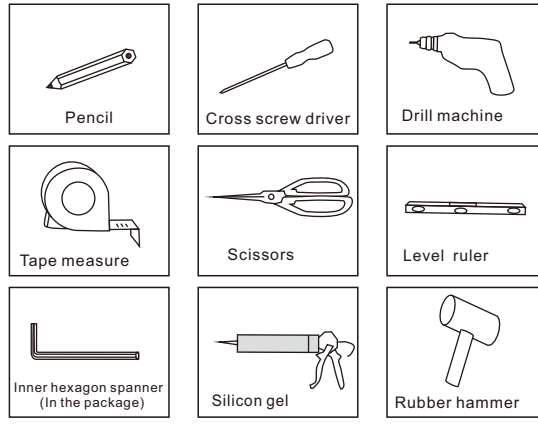
# INSTALLATION MANUAL



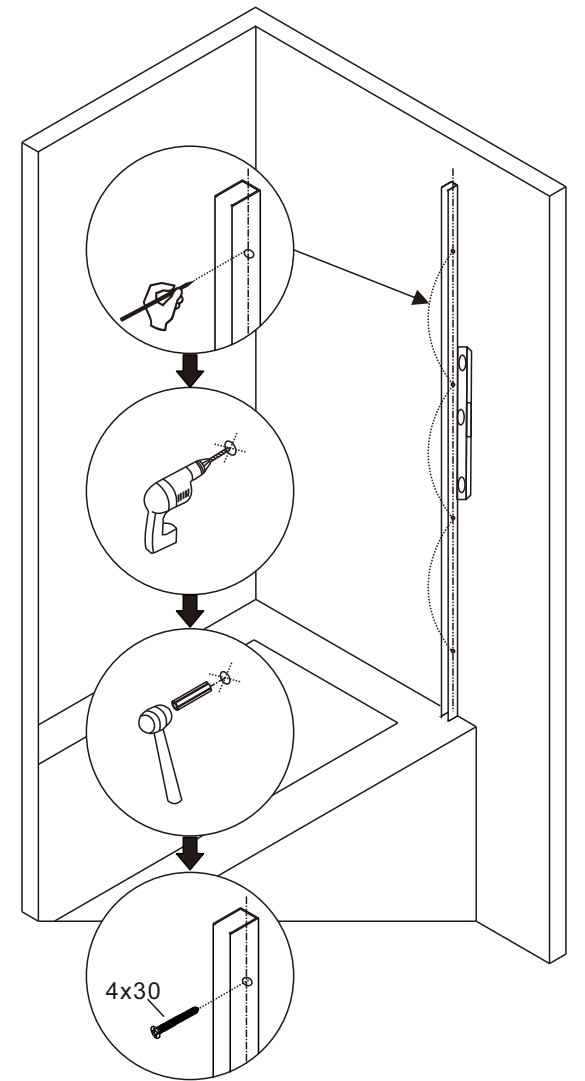
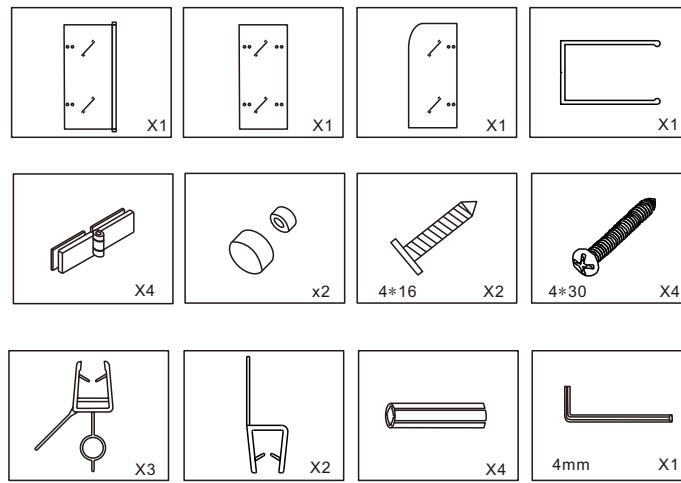
## 206AC

1

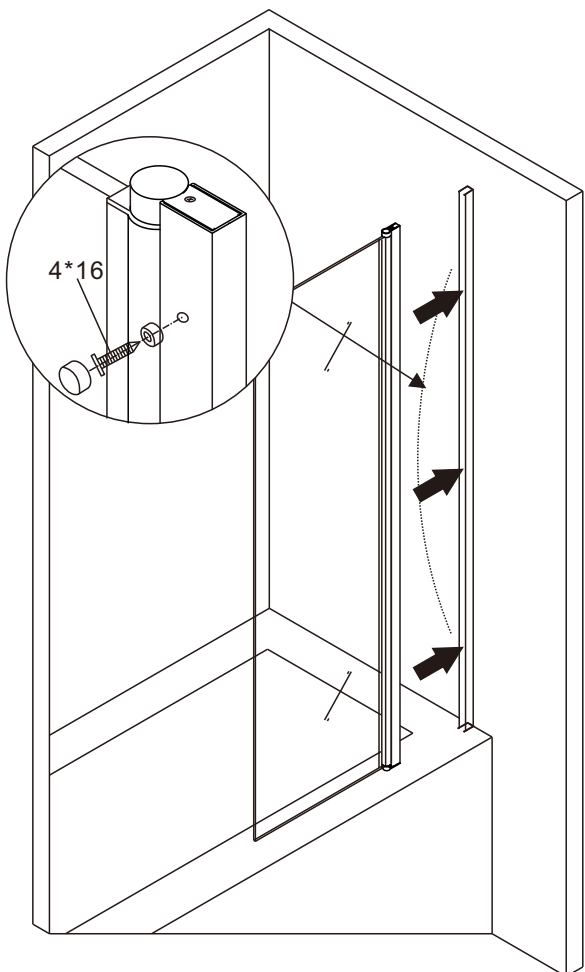
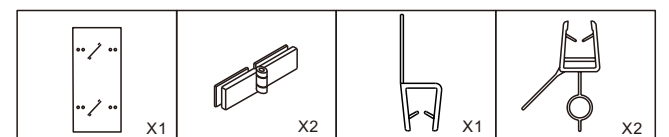
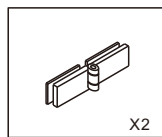
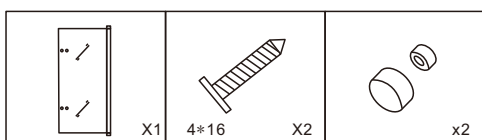
### TOOL PICTURE



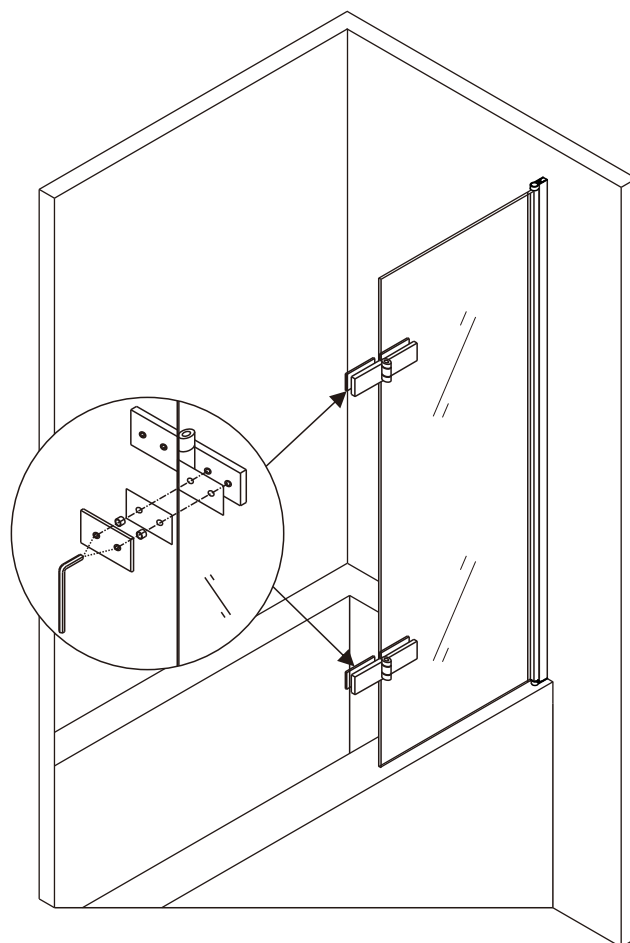
### Accessory list



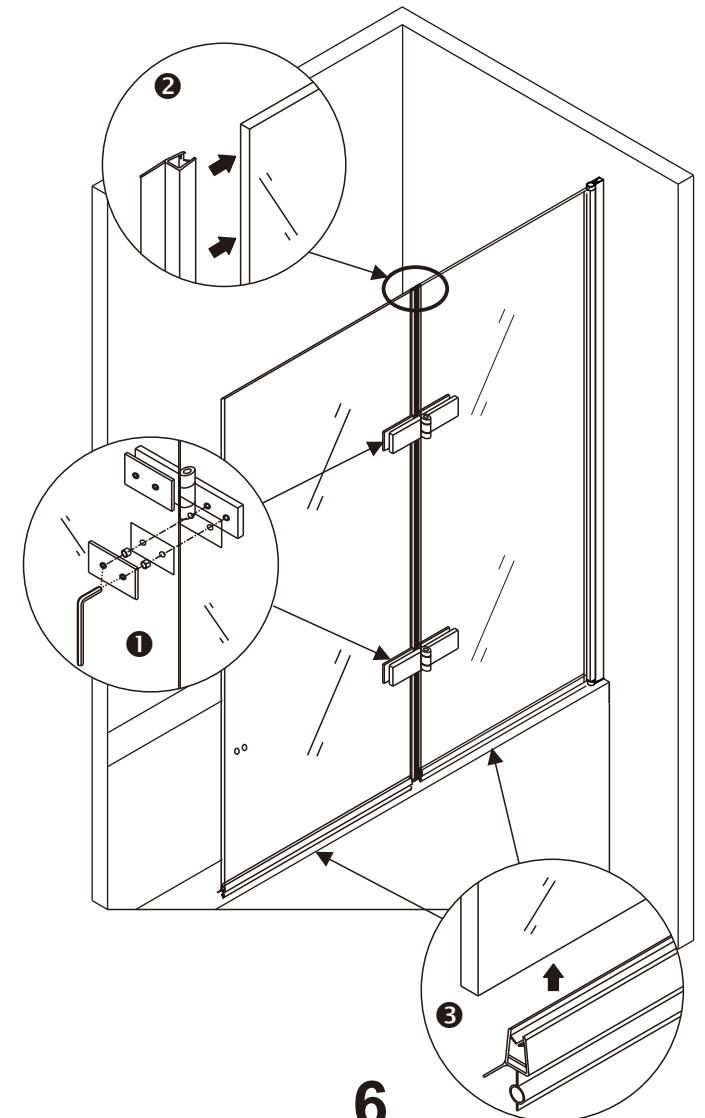
3



4



5



6

