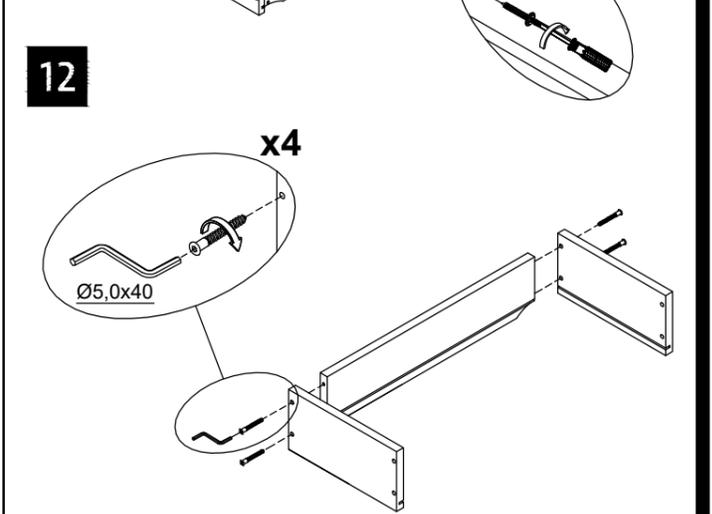
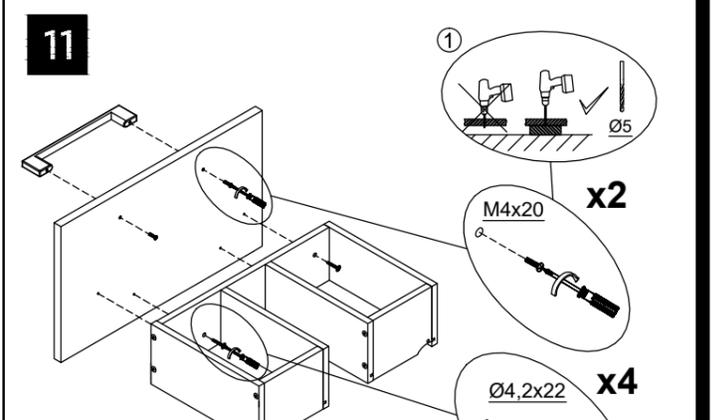
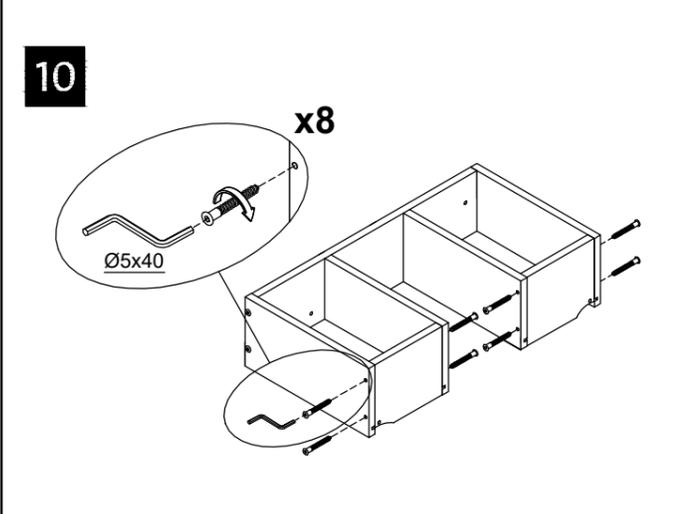
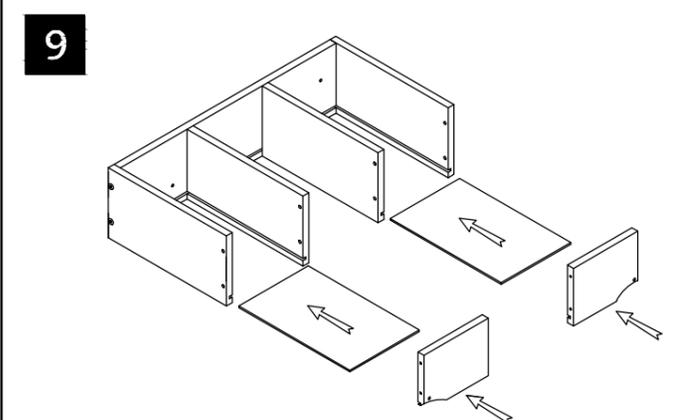
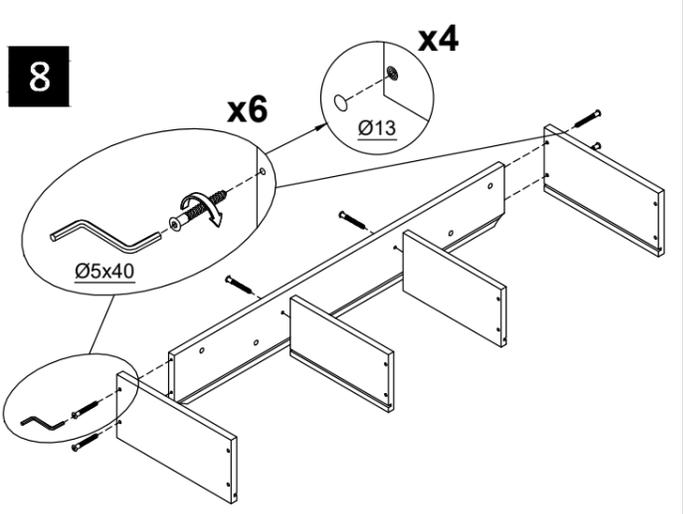
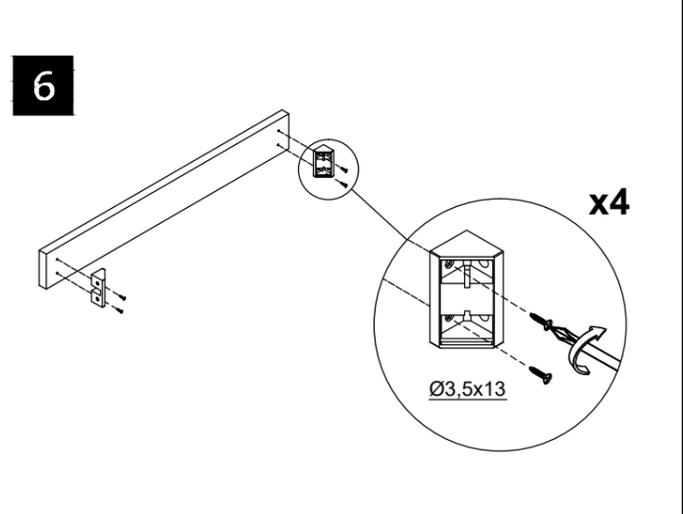
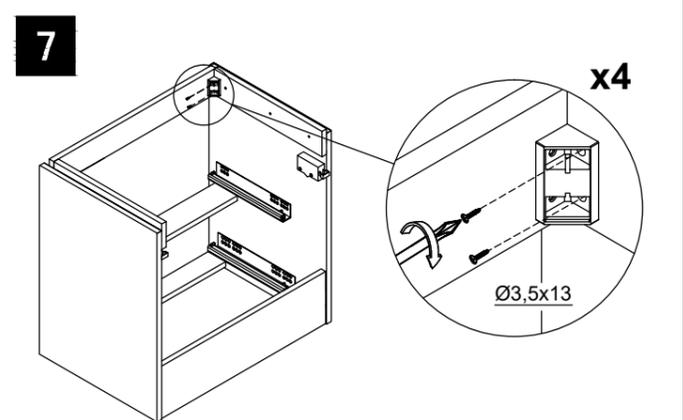
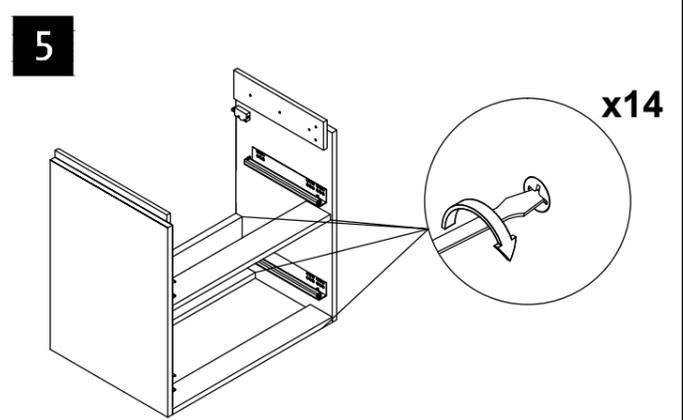
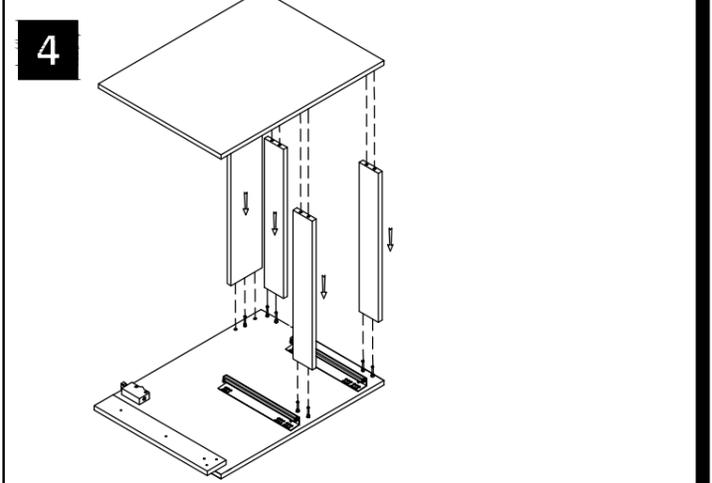
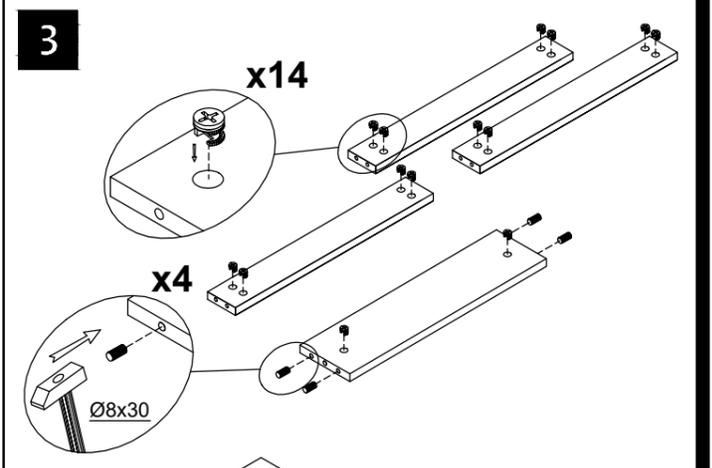
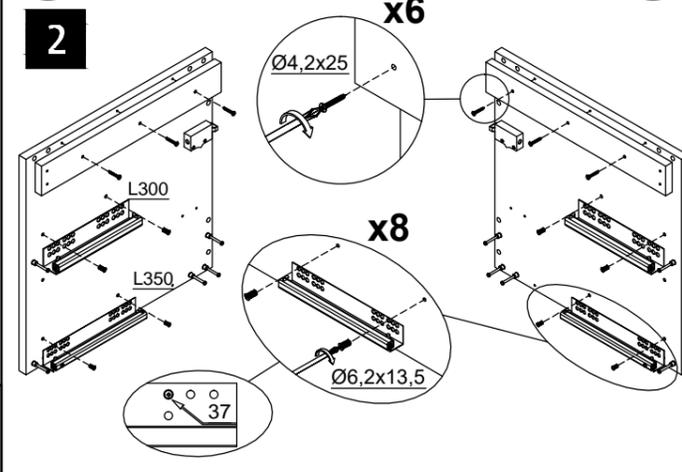
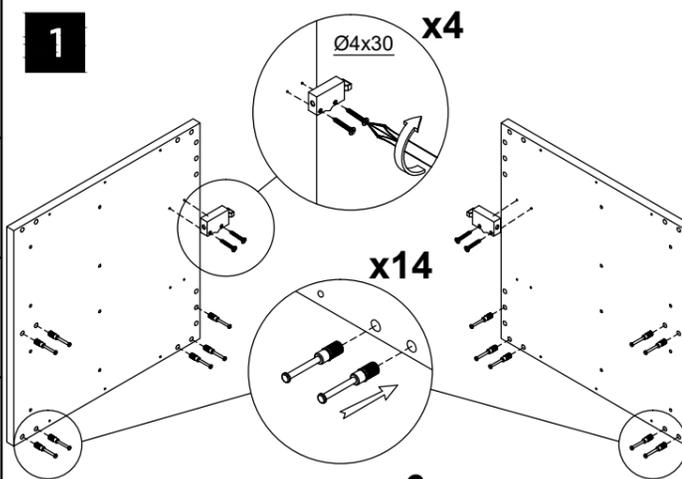
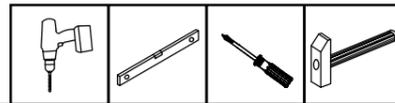
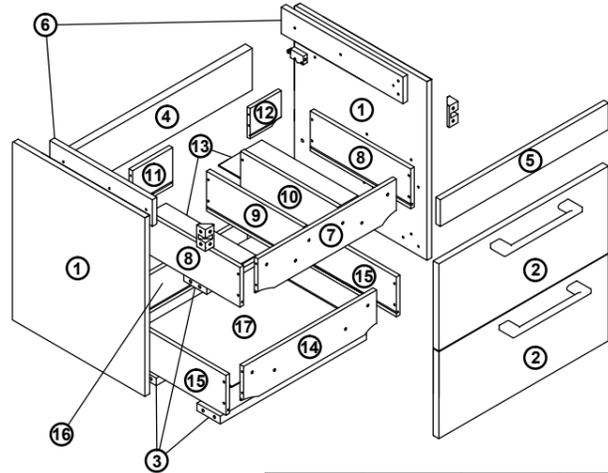
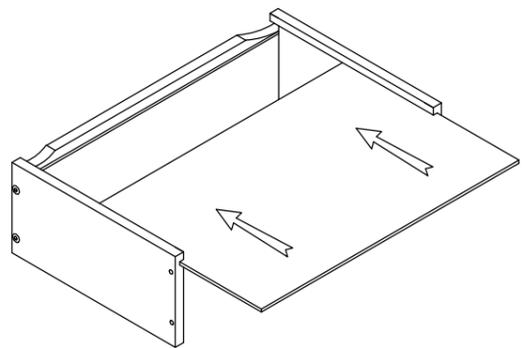


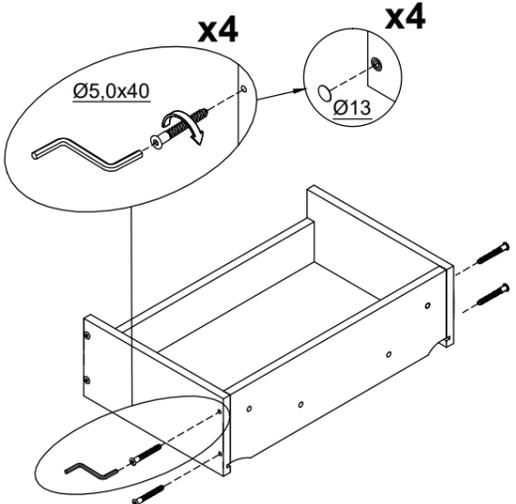
| | | | | | | |
|-----|------------|----|------------|----------|-------------|--------------|
| x14 | Ø15 x14 | 2x | Ø4,2x22 x8 | Ø13 x8 | M4x20 x4 | Ø6,2x13,5 x8 |
| x2 | Ø8x30 x4 | x2 | L300 x2 | Ø3x16 x4 | Ø5,0x40 x22 | Ø3,5x13 x8 |
| x2 | Ø4,0x30 x4 | x1 | x1 | x2 | L350 x2 | Ø4,2x25 x6 |



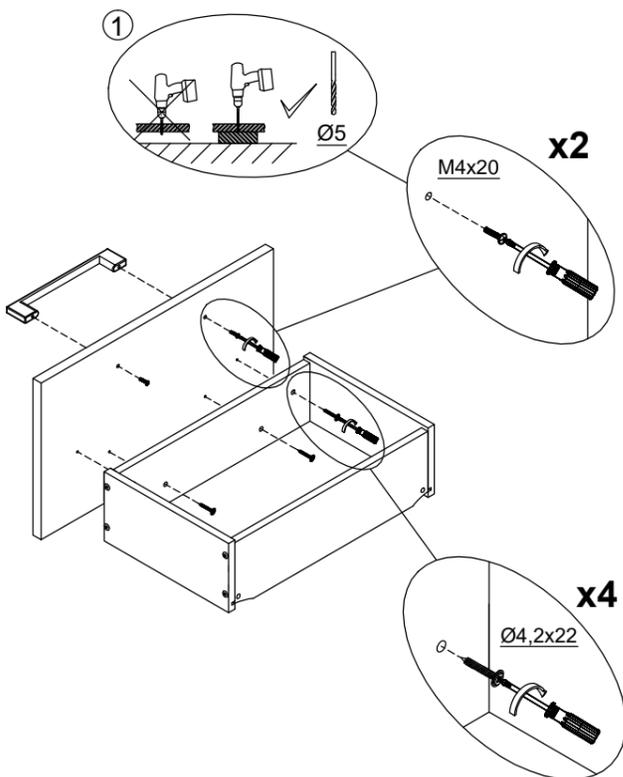
13



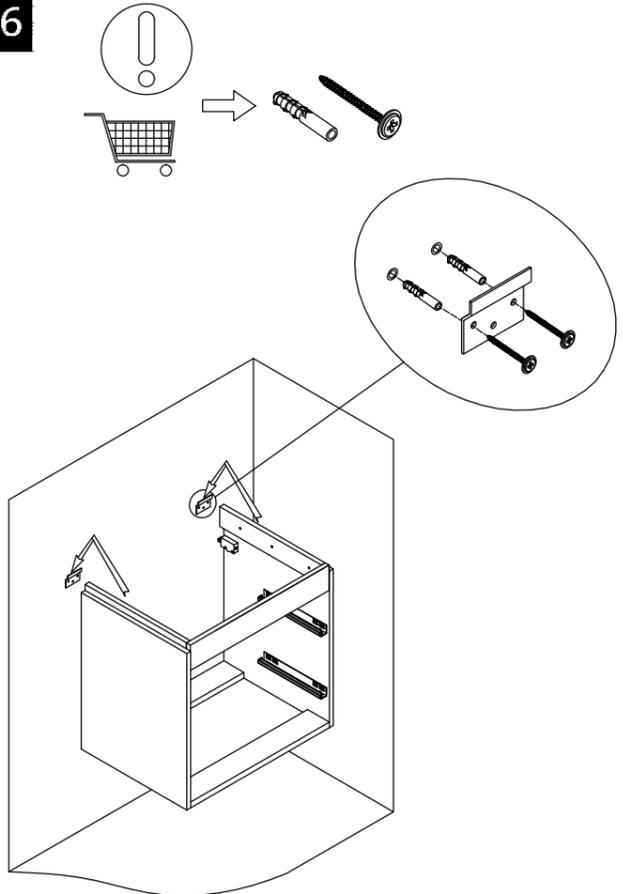
14



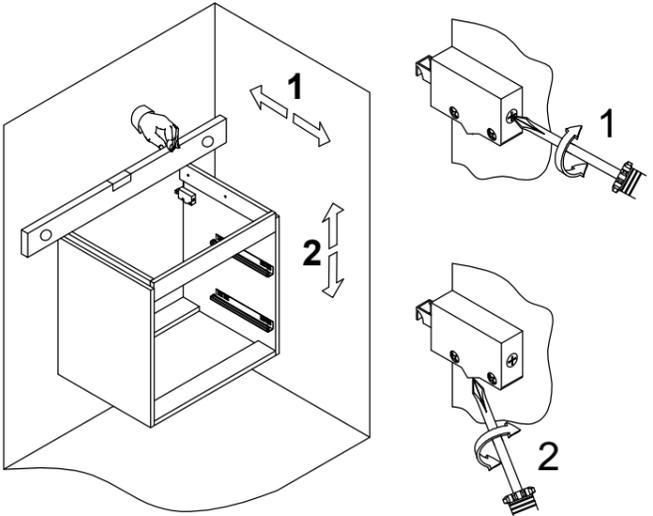
15



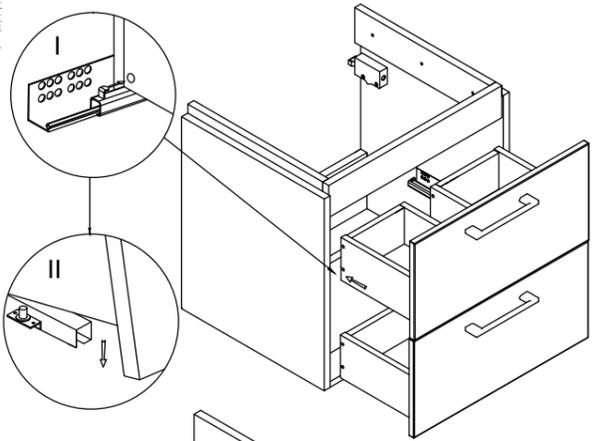
16



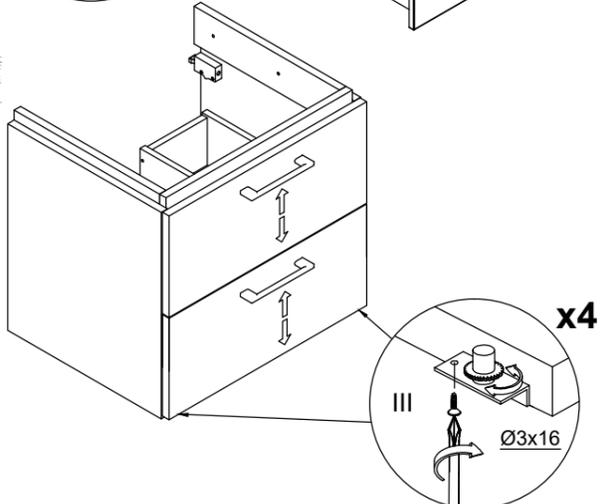
17



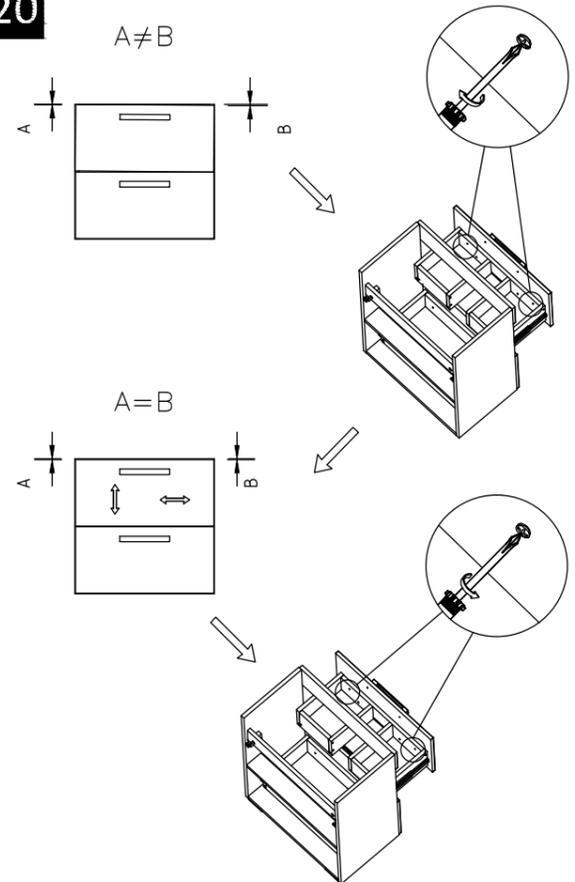
18



19



20



21

